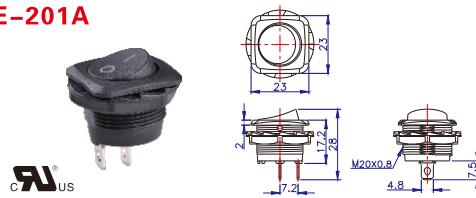
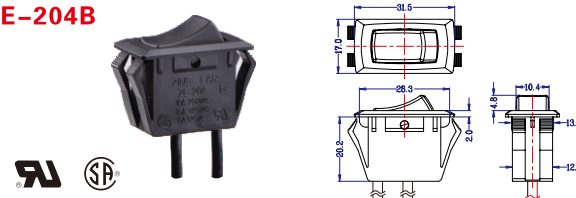


ZE-201A



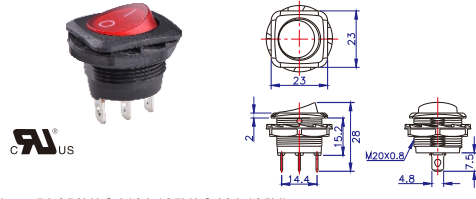
Rating: 5A 250VAC / 10A 125VAC / 3A 125V
Material: Plastic Key-press / Plastic Base
Function: ON-OFF

ZE-204B



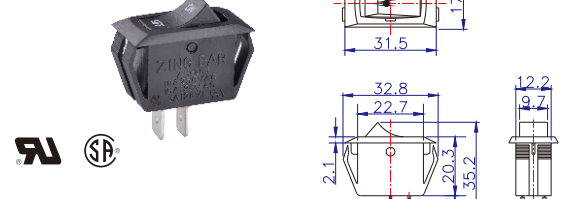
Rating: 10A 250VAC / 15A 125VAC / 6A 125V
Material: Plastic Key-press / Plastic Base
Function: ON-OFF

ZE-201B (With Neon Light)



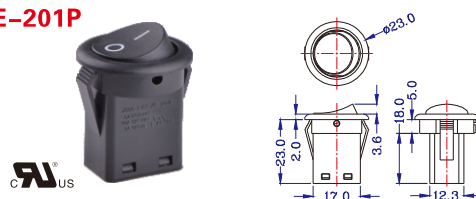
Rating: 5A 250VAC / 10A 125VAC / 3A 125V
Material: Plastic Key-press / Plastic Base
Function: ON-OFF (with Neon Light)

ZE-205



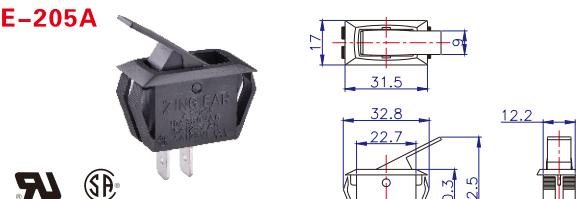
Rating: 10A 250VAC / 15A 125VAC / 6A 125V
Material: Plastic Key-press / Plastic Base
Function: ON-OFF

ZE-201P



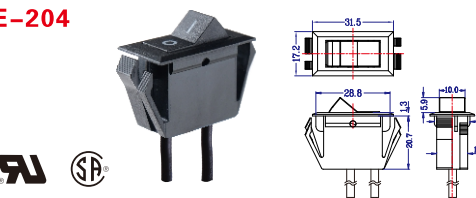
Rating: 6A 250VAC / 10A 125VAC / 3A 125V
Material: Plastic Key-press / Plastic Base
Function: ON-OFF (Push in Terminal)

ZE-205A



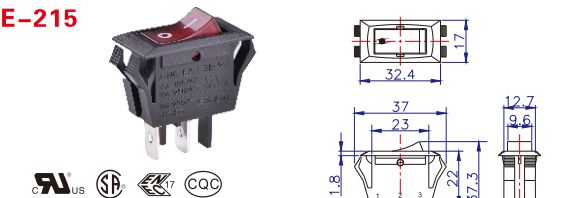
Rating: 10A 250VAC / 15A 125VAC / 6A 125V
Material: Plastic Key-press / Plastic Base
Function: ZE-205A Normally ON / ZE-205B Normally OFF

ZE-204



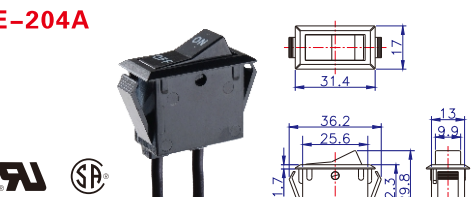
Rating: 10A 250VAC / 15A 125VAC / 6A 125V
Material: Plastic Key-press / Plastic Base
Function: ON-OFF

ZE-215



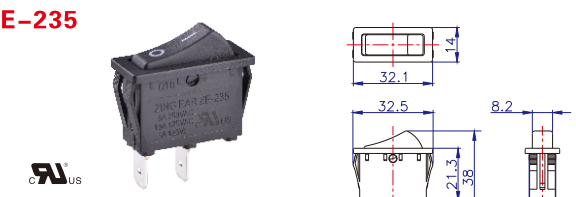
Rating: 10A 250VAC / 15A 125VAC / 10A 250V~ T85
Material: Plastic Key-press / Plastic Base
Function: ON-OFF (Available with lighted or unlighted)

ZE-204A



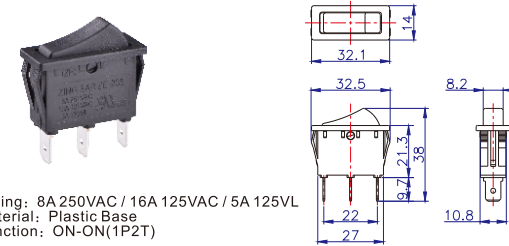
Rating: 10A 250VAC / 15A 125VAC / 6A 125V
Material: Plastic Key-press / Plastic Base
Function: ON-OFF

ZE-235



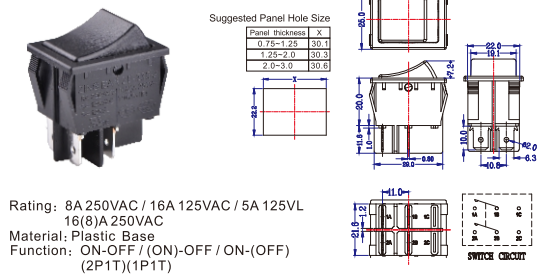
Rating: 8A 250VAC / 16A 125VAC / 5A 125V
Material: Plastic Base
Function: ON-OFF

ZE-235A



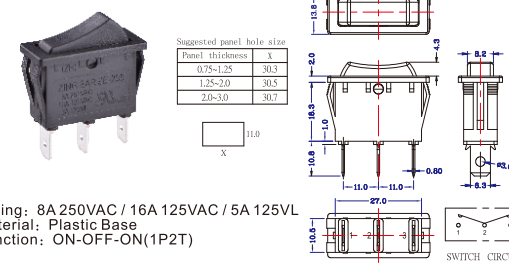
Rating: 8A 250VAC / 16A 125VAC / 5A 125V
Material: Plastic Base
Function: ON-ON(1P2T)

ZE-235-2 II



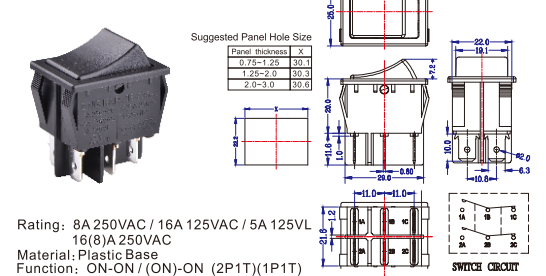
Rating: 8A 250VAC / 16A 125VAC / 5A 125V
16(8)A 250VAC
Material: Plastic Base
Function: ON-OFF / (ON)-OFF / ON-(OFF)
(2P1T)(1P1T)

ZE-235B



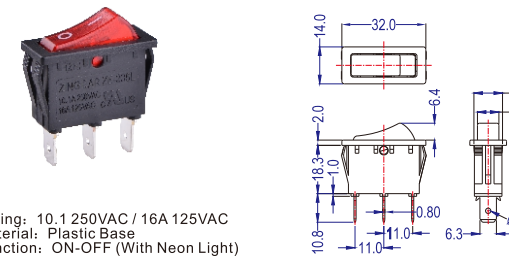
Rating: 8A 250VAC / 16A 125VAC / 5A 125V
Material: Plastic Base
Function: ON-OFF-ON(1P2T)

ZE-235-2A II



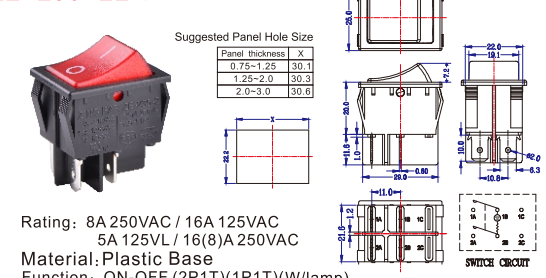
Rating: 8A 250VAC / 16A 125VAC / 5A 125V
16(8)A 250VAC
Material: Plastic Base
Function: ON-ON / (ON)-ON (2P1T)(1P1T)

ZE-235L (With Neon Light)



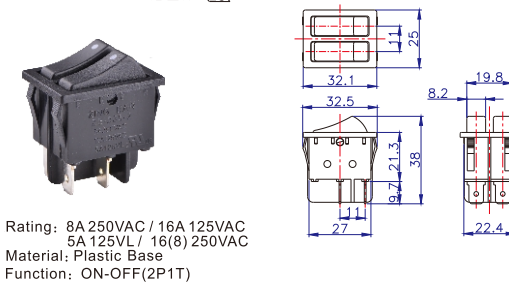
Rating: 10.1 250VAC / 16A 125VAC
Material: Plastic Base
Function: ON-OFF (With Neon Light)

ZE-235-2L II



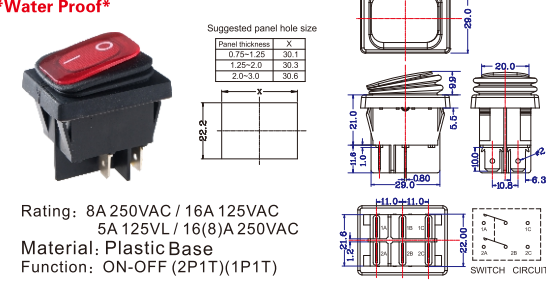
Rating: 8A 250VAC / 16A 125VAC
5A 125V / 16(8)A 250VAC
Material: Plastic Base
Function: ON-OFF (2P1T)(1P1T)(W/lamp)

ZE-235-2



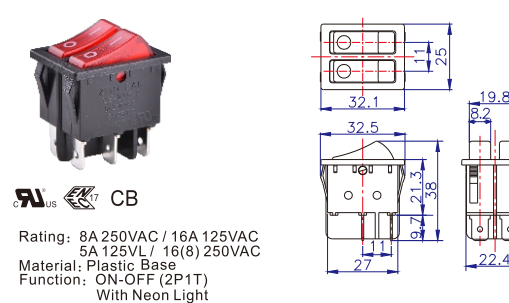
Rating: 8A 250VAC / 16A 125VAC
5A 125V / 16(8) 250VAC
Material: Plastic Base
Function: ON-OFF(2P1T)

ZE-235-2 II



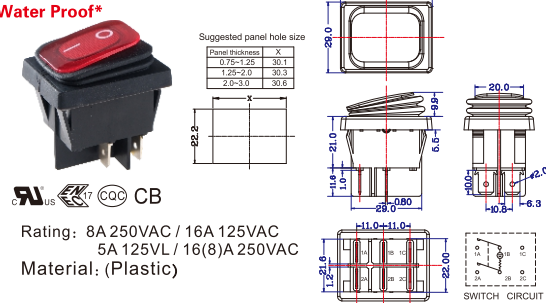
Rating: 8A 250VAC / 16A 125VAC
5A 125V / 16(8)A 250VAC
Material: Plastic Base
Function: ON-OFF (2P1T)(1P1T)

ZE-235-2L (With Neon Light)




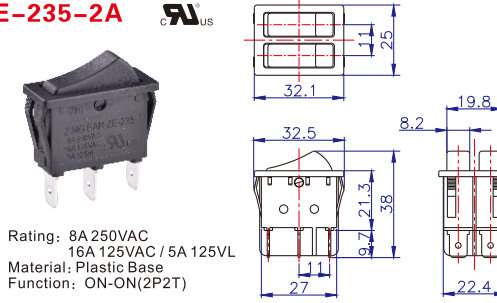
Rating: 8A 250VAC / 16A 125VAC
5A 125V / 16(8) 250VAC
Material: Plastic Base
Function: ON-OFF (2P1T)
With Neon Light

ZE-235-2L II




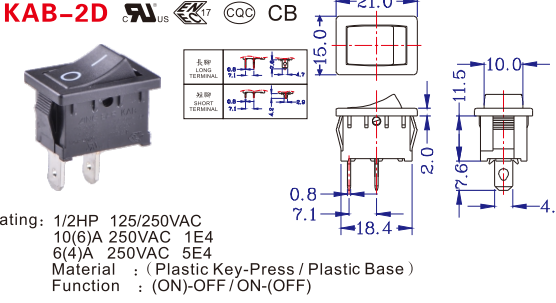
Rating: 8A 250VAC / 16A 125VAC
5A 125V / 16(8)A 250VAC
Material: (Plastic)

ZE-235-2A 




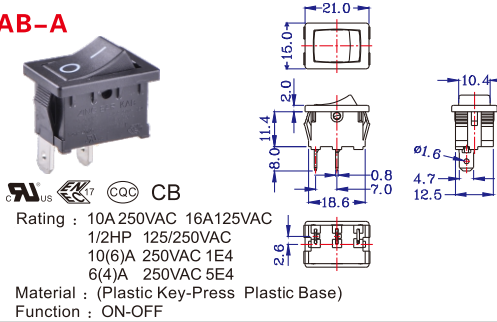
Rating: 8A 250VAC
16A 125VAC / 5A 125VLC
Material: Plastic Base
Function: ON-ON(2P2T)

KAB-2D 




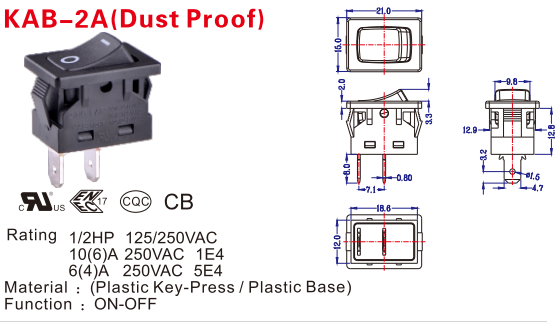
Rating: 1/2HP 125/250VAC
10(6)A 250VAC 1E4
6(4)A 250VAC 5E4
Material: (Plastic Key-Press / Plastic Base)
Function: (ON)-OFF / ON-(OFF)

KAB-A 




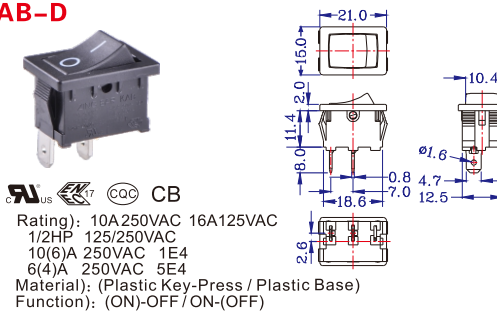
Rating: 10A 250VAC 16A 125VAC
1/2HP 125/250VAC
10(6)A 250VAC 1E4
6(4)A 250VAC 5E4
Material: (Plastic Key-Press / Plastic Base)
Function: ON-OFF

KAB-2A(Dust Proof) 




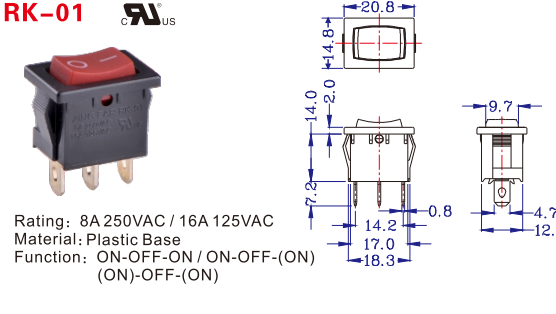
Rating: 1/2HP 125/250VAC
10(6)A 250VAC 1E4
6(4)A 250VAC 5E4
Material: (Plastic Key-Press / Plastic Base)
Function: ON-OFF

KAB-D 




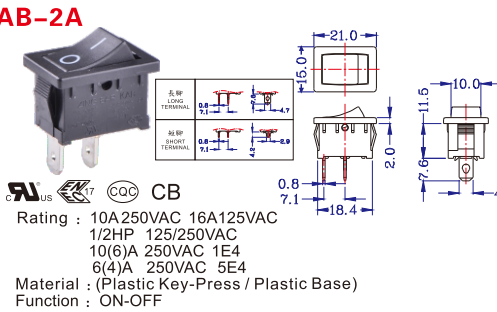
Rating: 10A 250VAC 16A 125VAC
1/2HP 125/250VAC
10(6)A 250VAC 1E4
6(4)A 250VAC 5E4
Material: (Plastic Key-Press / Plastic Base)
Function: (ON)-OFF / ON-(OFF)

RK-01 




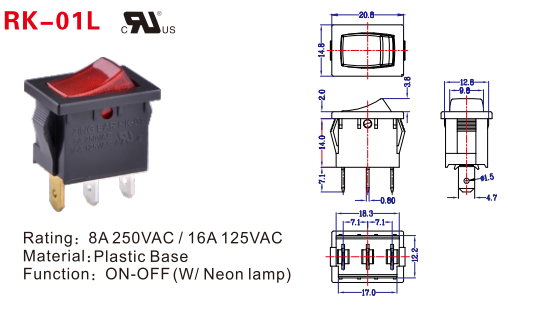
Rating: 8A 250VAC / 16A 125VAC
Material: Plastic Base
Function: ON-OFF-ON / ON-OFF-(ON)
(ON)-OFF-(ON)

KAB-2A 




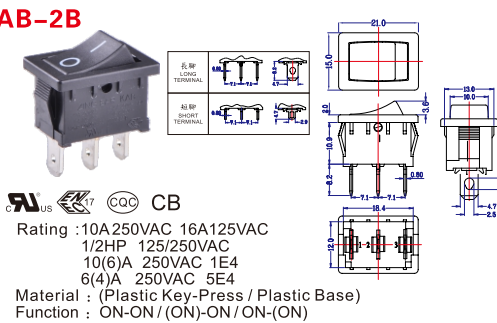
Rating: 10A 250VAC 16A 125VAC
1/2HP 125/250VAC
10(6)A 250VAC 1E4
6(4)A 250VAC 5E4
Material: (Plastic Key-Press / Plastic Base)
Function: ON-OFF

RK-01L 




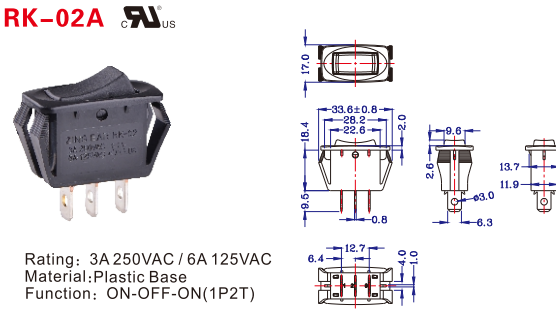
Rating: 8A 250VAC / 16A 125VAC
Material: Plastic Base
Function: ON-OFF (W/ Neon lamp)

KAB-2B 




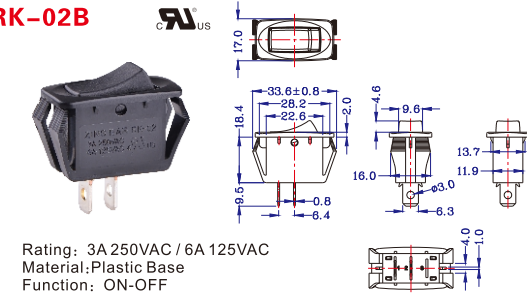
Rating: 10A 250VAC 16A 125VAC
1/2HP 125/250VAC
10(6)A 250VAC 1E4
6(4)A 250VAC 5E4
Material: (Plastic Key-Press / Plastic Base)
Function: ON-ON / (ON)-ON / ON-(ON)

RK-02A 




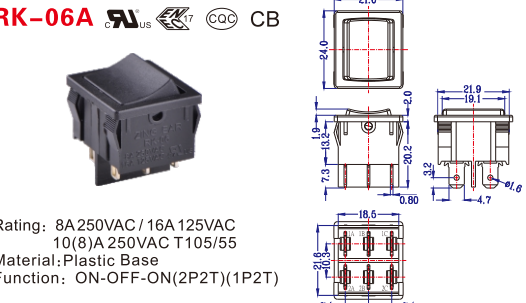
Rating: 3A 250VAC / 6A 125VAC
Material: Plastic Base
Function: ON-OFF-ON(1P2T)

RK-02B 




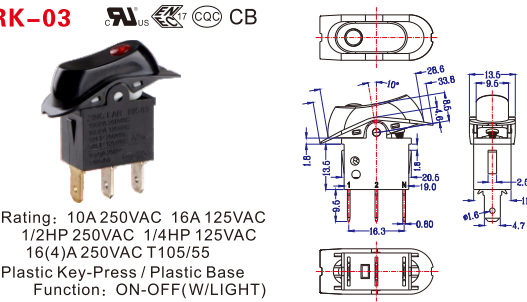
Rating: 3A 250VAC / 6A 125VAC
Material: Plastic Base
Function: ON-OFF

RK-06A 




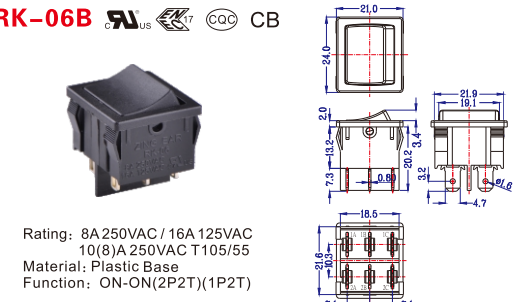
Rating: 8A 250VAC / 16A 125VAC
10(8)A 250VAC T105/55
Material: Plastic Base
Function: ON-OFF-ON(2P2T)(1P2T)

RK-03 




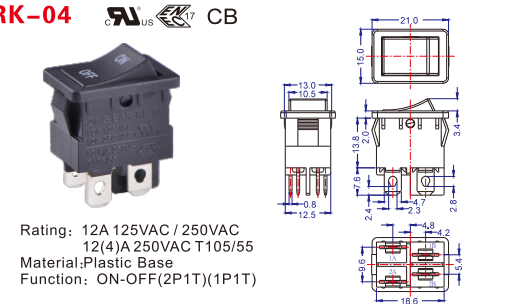
Rating: 10A 250VAC 16A 125VAC
1/2HP 250VAC 1/4HP 125VAC
16(4)A 250VAC T105/55
Material: Plastic Key-Press / Plastic Base
Function: ON-OFF(W/LIGHT)

RK-06B 




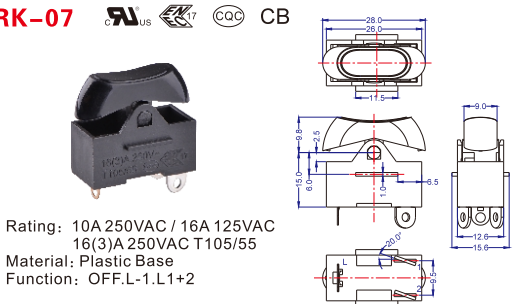
Rating: 8A 250VAC / 16A 125VAC
10(8)A 250VAC T105/55
Material: Plastic Base
Function: ON-ON(2P2T)(1P2T)

RK-04 




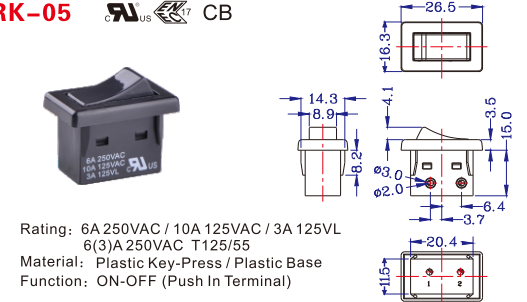
Rating: 12A 125VAC / 250VAC
12(4)A 250VAC T105/55
Material: Plastic Base
Function: ON-OFF(2P1T)(1P1T)

RK-07 




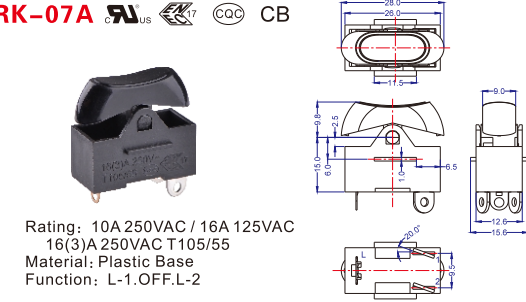
Rating: 10A 250VAC / 16A 125VAC
16(3)A 250VAC T105/55
Material: Plastic Base
Function: OFF-L-1-L1+2

RK-05 




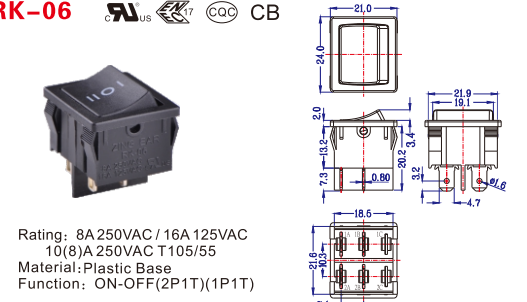
Rating: 6A 250VAC / 10A 125VAC / 3A 125VAC
6(3)A 250VAC T125/55
Material: Plastic Key-Press / Plastic Base
Function: ON-OFF (Push In Terminal)

RK-07A 




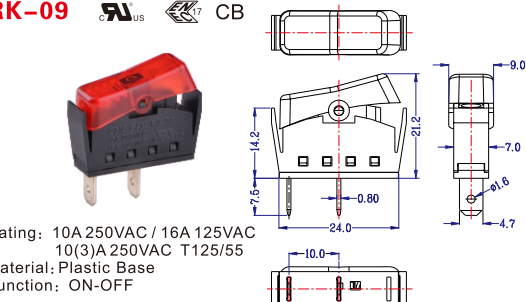
Rating: 10A 250VAC / 16A 125VAC
16(3)A 250VAC T105/55
Material: Plastic Base
Function: L-1.OFF.L-2

RK-06 



Rating: 8A 250VAC / 16A 125VAC
10(8)A 250VAC T105/55
Material: Plastic Base
Function: ON-OFF(2P1T)(1P1T)

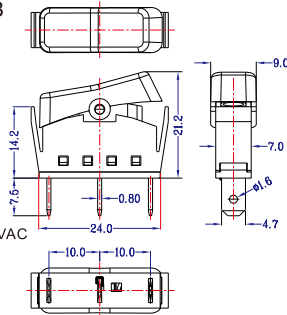
RK-09 



Rating: 10A 250VAC / 16A 125VAC
10(3)A 250VAC T125/55
Material: Plastic Base
Function: ON-OFF

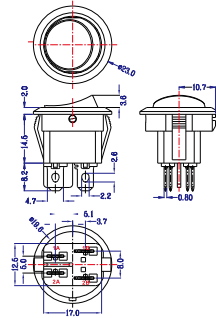
Unionwell

RK-09L CB



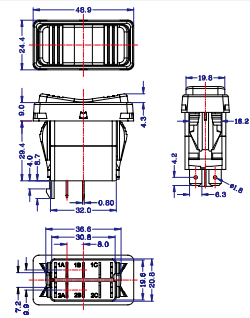
Rating: 10A 250VAC / 16A 125VAC
10(3)A 250VAC T125/55
Material: Plastic Base
Function: ON-OFF
(W/ Neon lamp)

ZE-401 CB



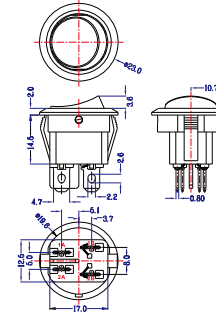
Rating: 12A 125VAC / 250VAC T125
12(4)A 250VAC T125/55
Material: Plastic Base
Function: ON-OFF(2P1T)(1P1T)

RK-10A



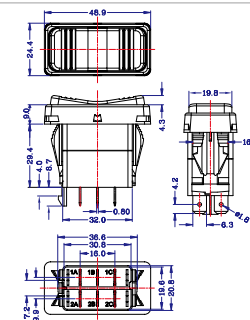
Rating : 20A 12V (Pending)
Material: Plastic Key-Press/ Plastic Base
Function: 1A 1C
(ON) ON OFF
2A 2B 2C
ON OFF OFF

ZE-401L CB



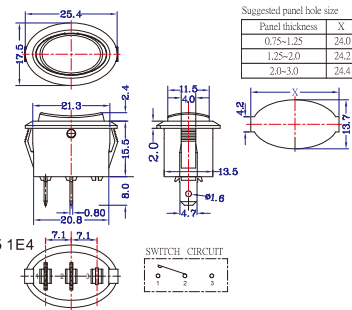
Rating: 12A 125VAC / 250VAC
12(4)A 250VAC T125/55
Material: Plastic Base
Function: ON-OFF(2P1T)(1P1T)
(W/ Neon Lamp)

RK-10C



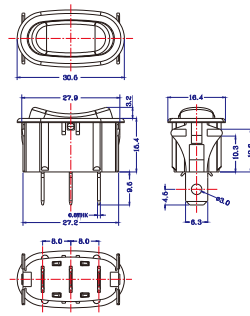
(Rating):20A 12V (Pending)
Material: Plastic Key-Press/ Plastic Base
Function: ON-OFF-(ON)

RK-12



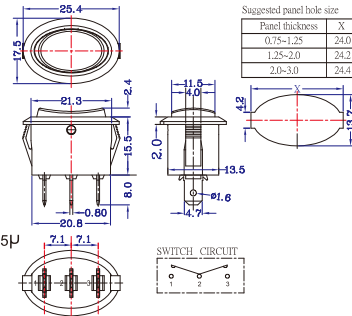
Rating: 16(6)A 250VAC T125/55 1E4
Material: Plastic Base
Function: ON-OFF(1P1T)

RK-11A



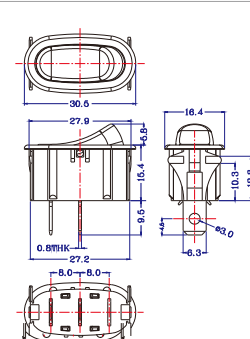
Rating: 10A 250VAC / 16A 125VAC
Material: Plastic Base
Function: ON-OFF-ON(1P2T)

RK-12A



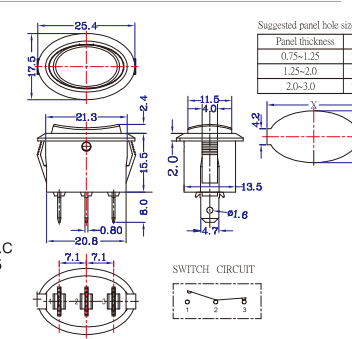
Rating: 16(6)A 250VAC T125/55μ
Material: Plastic Base
Function: ON-OFF-ON(1P2T)

RK-11B



Rating: 10A 250VAC / 16A 125VAC
Material: Plastic Base
Function: ON-OFF

RK-12B



Rating: 10A 250VAC / 16A 125VAC
16(6)A 250VAC T125/55
ON-ON(1P2T)
Material: Plastic Base
Function: ON-ON(1P2T)