

## G2 Series

### Rotary Switch



#### ■ Features

- Designed for water and dust tight (IP64)
- Small Compact Size
- Long life/High Reliability
- Widely used in automotive electronics
- Appliance and industrial control

#### ■ Application

◆Car

◆Home Appliance

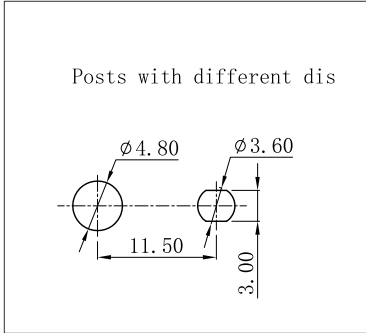
#### ■ Parameters

Rating		0.1A 12VDC
Operating Frequency	Electrical	10~30 cycles/minute
	Mechanical	120 cycles/minute
Contact Resistance (Initial Value)		100m $\Omega$ Max.
Insulation Resistance (at 500VDC)		100M $\Omega$ Min.
Vibration Durability		10~55Hz, move 0.75mm (p-p)
Dielectric Strength		500VAC (50~60Hz)
Storage Temperature		-30° C ~ +85° C
Storage Humidity		85%RH MAX.
Service Life	Electrical	100,000 cycles
	Mechanical	100,000 cycles Min.

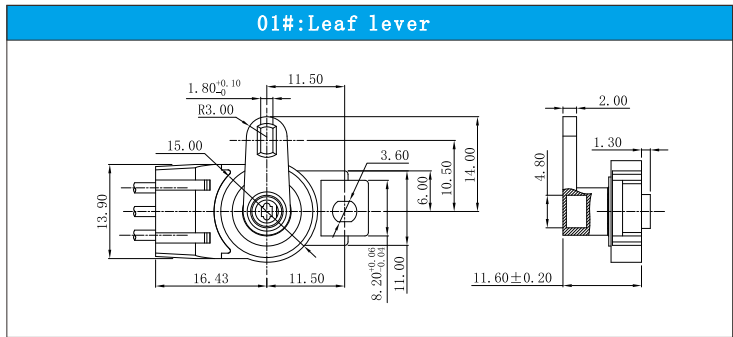
G2 Series Rotary Switch Ordering Instruction

G2	01	E	00	A	I	G	F	400	TXXX
Switch Type	Electrical Rating	Terminal Type	Lever Type	Circuit Code	Posts	AWG Type (for wire type only)	AWG Number (for wire type only)	Wire Length	Special Designator
G2 Series Rotary Switch	01 0.1A 12VDC	E Wire Leads to Bottom	01 01#Lever	A circuit 1-COM circuit 2-COM	1 Standard post	No lead wires	No lead wires	300mm length standard leadwires	Special Code
	... Other	S No-hole Solder Terminals	... Other	B circuit 1-COM	... Other	E 20#	A UL1007	400 Wire length 400mm	...
		... Other		C circuit 2-COM		F 22#	C UL1430	... Other	
						G 24#	D UL1061		
						H 26#	F AVSS		
						I 28#	H UL1332		
						... Other	... Other		

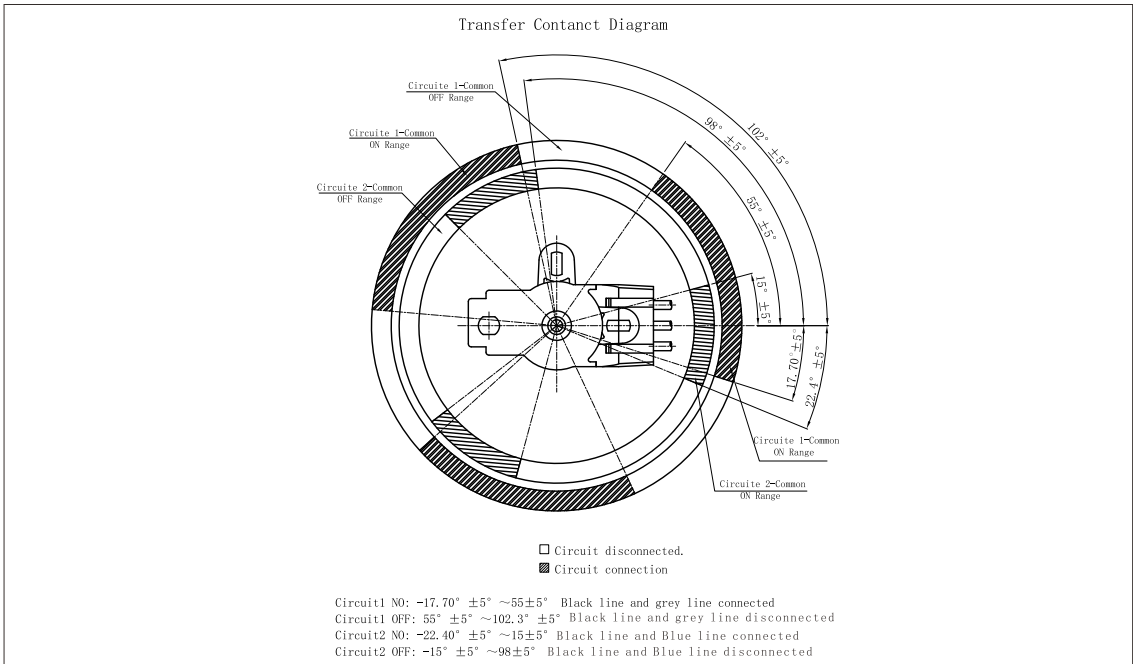
## ■ Mounting Hole Dimensions



## ■ Lever Type



## ■ Circuit Configuration



## ■ Shape

