

## G307 Sub-Miniature Micro Switch



### ■ Features

- High reliability and good resistance to environment, sealed micro switch with long travel
- Double slide contact and high reliability sliding contact structure
- With high temperature resistance(+85 ° C)and waterproof structure, can be widely applied in different environments, IP67 rated (except for terminals)
- Widely used in Automotive Electronics, Appliance and Industrial Control etc.

### ■ Application

- Home Appliance
- Electronic Equipments
- Automatic Equipments
- Communication Equipments
- Auto Electronics
- Apparatus and Instruments
- Power Tools

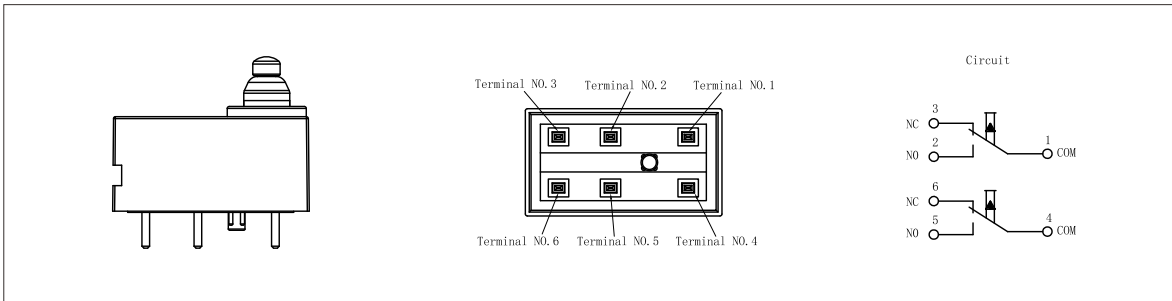
### ■ Parameters:

Operating Speed		1~500mm/s(relative to drive mode)
Operating Frequency		120 cycles/min
Insulation Resistance(Initial Value)		≥100MΩ (DC 500V insulating-resistance meter)
Contact Resistance(Initiative)	Terminal	≤100mΩ
Voltage Resistance	Between terminals	AC500V, 50/60HZ, 1min.
	Between terminals and uncharged metal parts	AC1000V, 50/60HZ, 1min.
Vibration Resistance	No transformation action	10~55HZ Double amplitude1.5mm
Service Life	Electrical	300000cycles (20cycles/min) 12V DC 0.1A 5V DC 50μA
	Mechanical	300,000 cycles/min (30cycles/min)
Storage Temperature		-40~+85° C
Storage Humidity		85% RH Max

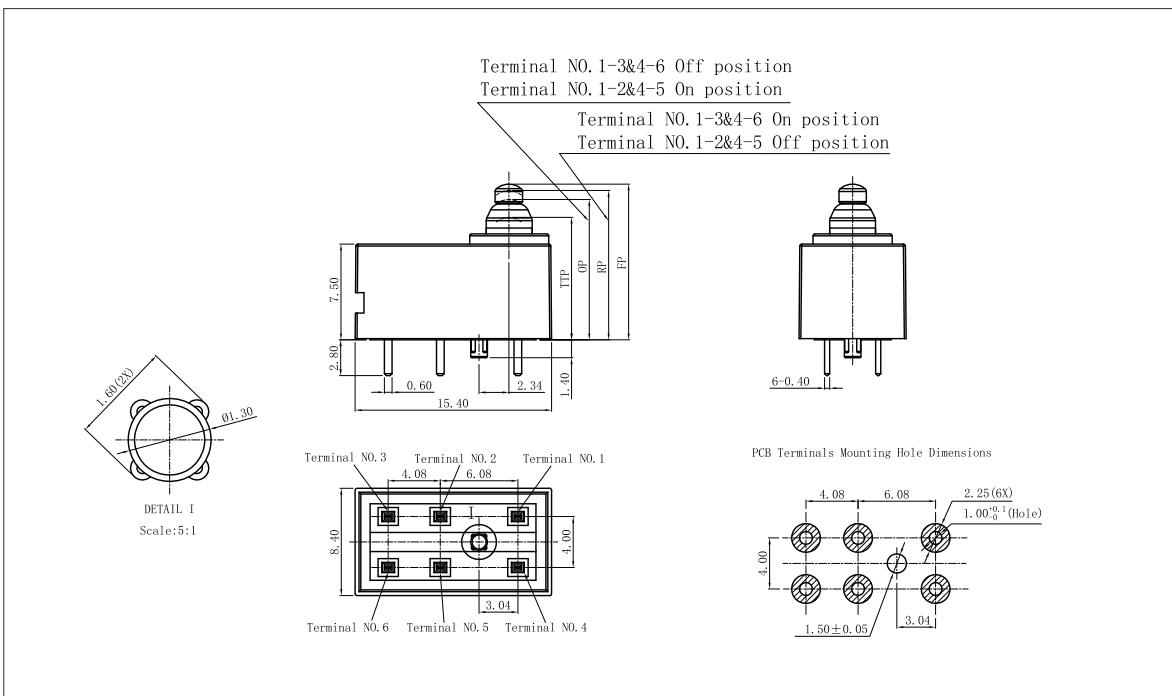
G307 Series Micro Switch Ordering Instruction

G307	Switch Type						
—							
150	Max Operating Force at Pin Plunger						
150	150gf Max		P	Straight PCB Terminals			
...	Other		S	SMT Terminals			
			...	Special Terminals			
A	Circuit Code						
A		A	DPDT				
B		B	DPST-NC				
C		C	DPST-NO				
P	Terminal Type						
		P	Straight PCB Terminals				
		S	SMT Terminals				
		...	Special Terminals				
00	Lever Type						
00			NO Lever pin plunger				
01			01#Lever				
...			Other				
T001	Custom code						
			General				
		T001	Custom model				
		...	Other				

## ■ Circuit

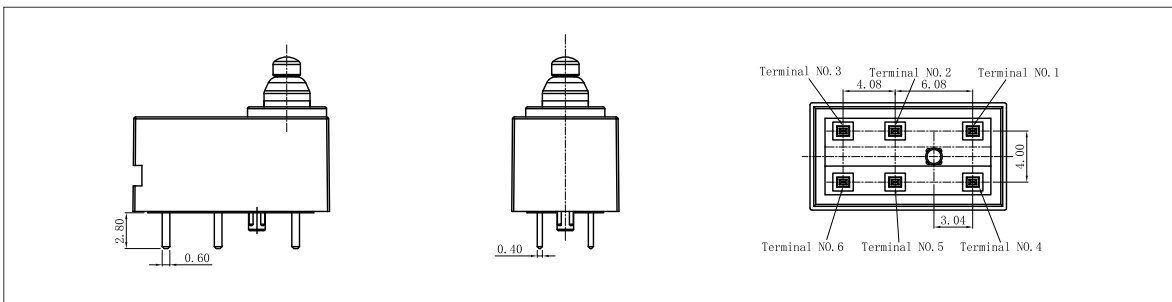


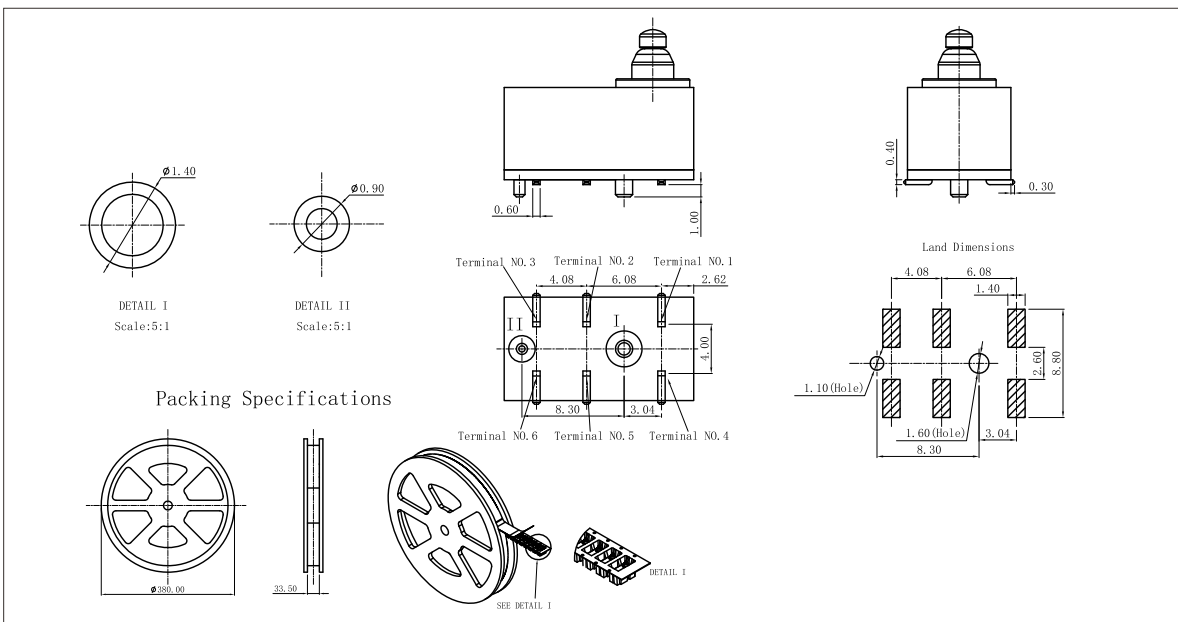
## ■ Dimensions and Operating Characteristics of Basic Shape



## ■ Terminal Type

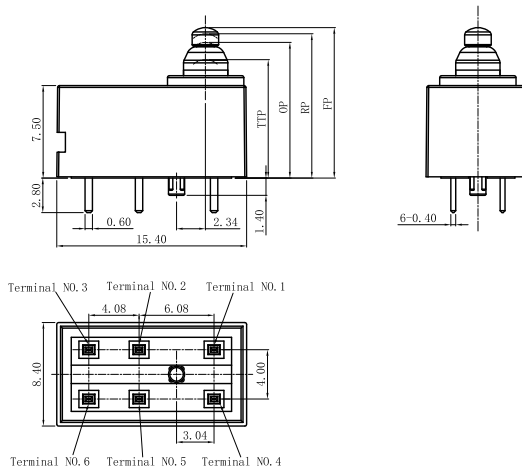
### ◆ PCB Terminal





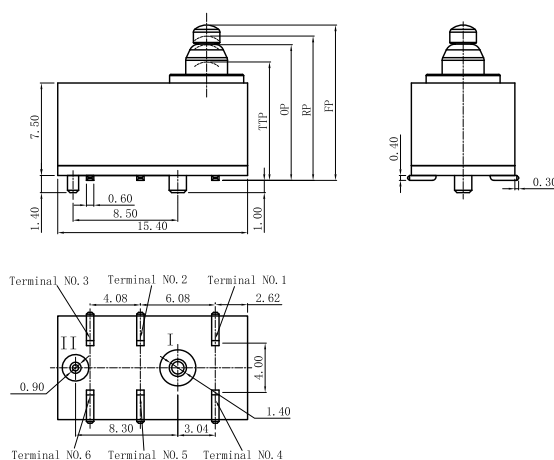
### ■ Dimensions and Operating Characteristics (unit:mm)

#### ◆ G307-150PA00



Part NO.	G307-150PA00
OF	200gf Max.
FP	12.2 (+0.4, -0.20) mm
OP	11.0 ± 0.3mm
RP	11.7 ± 0.35mm
TTP	9.8mm Max.

#### ◆ G307-150SA00



Part NO.	G307-150SA00
OF	200gf Max.
FP	12.6 (+0.4, -0.20) mm
OP	11.4 ± 0.3mm
RP	12.1 ± 0.35mm
TTP	10.2mm Max.